

# Overhead cranes

**Challenge:** **Overhead crane reliability.** Overhead cranes are critical pieces of equipment requiring regular maintenance to ensure safe and reliable operation. Scheduled maintenance of overhead cranes is time-consuming and can present safety risks for service personnel.

**Solution:** **Protect your overhead cranes with synthetic lubricants** specifically designed to extend lubrication maintenance intervals, reduce component wear, reduce frictional losses and enhance equipment reliability.

Compared to conventional lubricants, Mobil SHC™ lubricants can provide:



**Safety**

- Reduced maintenance personnel exposure to safety hazards



**Environmental Care**

- Reduced oil consumption and waste oil generation



**Productivity**

- Longer component life and reduced maintenance costs
- Potential plant uptime and related productivity gains
- Improved energy efficiency and related power savings

**Industries**

- Aerospace
- Cement
- General manufacturing
- Marine
- Off-highway
- Petrochemical and chemical plants
- Power generating stations
- Pulp and paper
- Steel



**Key applications**

- Hoist gearing, trolley gears, traverse gears
- Miscellaneous shaft bearings

\*Visit [mobil.com/shc](http://mobil.com/shc) to learn how certain Mobil-branded lubricants may provide benefits to help minimize environmental impact. Actual benefits will depend upon product selected, operating conditions and applications.

Industrial Lubricants



# Overhead cranes

## Products

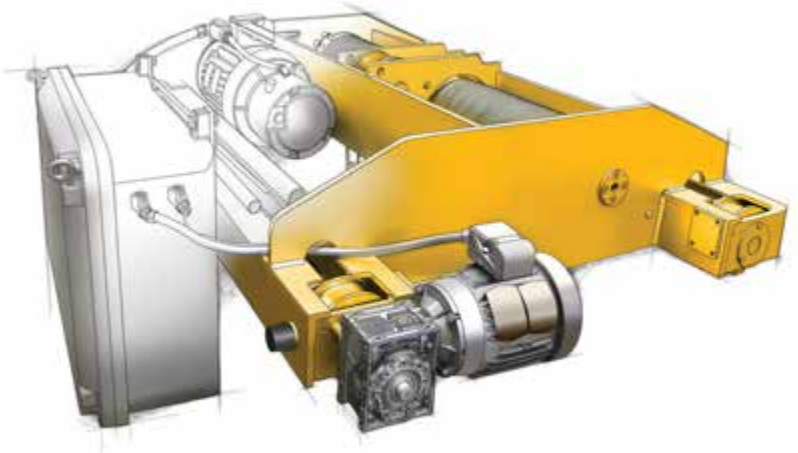
- Mobil SHC™ 600 Series oils\*  
Mobil SHC™ Gear ISO Series oils\*
  - Enclosed gears
- Mobilith SHC™ 460 grease
  - Miscellaneous shaft bearings
- Mobilgear SHC™ 46M grease\*
  - Open gears

## Key equipment builder approvals

Mobil SHC™ lubricants are endorsed by leading overhead crane builders, including:

- Crane Manufacturing and Service Company
- Dalian Crane & Mining Machinery Company Ltd.
- Ederer Crane Inc.
- Ely Crane & Hoist Company
- Henan Yuntian Crane Co., Ltd.
- Ingersoll-Rand Company
- Kone Cranes
- Whiting Corporation

Visit [mobil.com/industrial](http://mobil.com/industrial) to search by equipment builder name for specific recommendations.



## Proof of Performance

**Mobilith SHC™ 460 helps de icing products manufacturer extend bearing life by 5 years**

**Saving more than US \$199,000 with Mobilith SHC™ 460 grease from maintenance cost, together with reliability increase**

Please visit [mobil.com/shc](http://mobil.com/shc) to explore other success stories and find out how Mobil SHC synthetic lubricants can energize your business.



\*The energy efficiency design is a trademark of Exxon Mobil Corporation. Energy efficiency relates solely to the fluid performance when compared to conventional (mineral) reference oils of the same viscosity grade in circulating and gear applications. The technology used allows up to 3.6 percent efficiency compared to the reference when tested in a worm gearbox under controlled conditions. Efficiency improvements will vary based on operating conditions and application.

Note: Productivity Pointers are provided for the use of ExxonMobil and our authorized distributors. Schematics and product series recommendations are intended as a general guide. Please visit [mobil.com/industrial](http://mobil.com/industrial) for specific builder equipment recommendations.

© 2017 ExxonMobil. All trademarks used herein are trademarks or registered trademarks of Exxon Mobil Corporation or one of its subsidiaries.

[mobil.com/shc](http://mobil.com/shc)